

# NEW! FIREPLACE INSERT WITH BAKING COMPARTMENT

Available for the fireplace models:  
45x51K, 45x57K, 45x68K, 55x45K, 55x51K,  
55x57K, 65x45K, 65x51K, 65x57K,  
75x39K, 75x57K



*Tasteful*  
stove  
upgrade!

FIREPLACE INSERT 55X51K  
WITH BAKING COMPARTMENT



AUSTROFLAMM

[www.austroflamm.com](http://www.austroflamm.com)

AUSTROFLAMM TECHNOLOGY

# NEW! FIREPLACE INSERT WITH BAKING COMPARTMENT

## *New ideas* are our speciality!

For fresh independence we at Austroflamm have developed a gem. The **FIREPLACE INSERT WITH BAKING COMPARTMENT!** One product, perfect for the stove setup, innovative and individually installable!

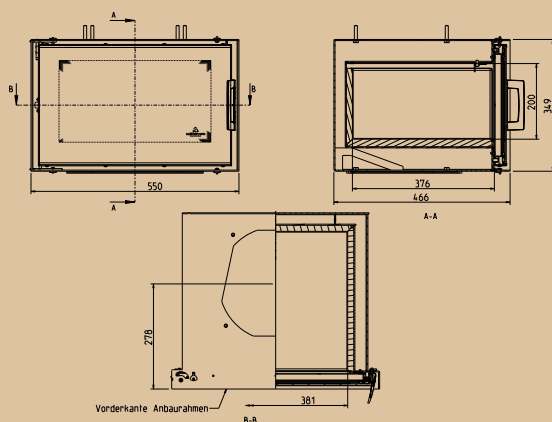
With the new baking compartment for fireplace inserts of the quality you have come to expect from the Austrian traditional company you can now use the energy from the fireplace insert for a fully-fledged baking compartment!



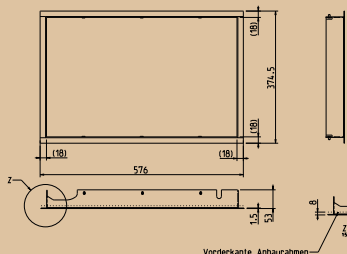
⇒ BAKING COMPARTMENT

### PRACTICAL AND INNOVATIVE:

- **BAKING COMPARTMENT AIR EXTRACTION**
- **BAKING COMPARTMENT INTERIOR**  
can be removed for cleaning
- **FOOD SAFE**  
Keramott lining
- **DOOR CATCH** modifiable
- **EASY TO INSTALL**



⇒ BAKING COMPARTMENT



⇒ DESIGNER FRAME

TECHNICAL DATA: BAKING COMPARTMENT FOR FIREPLACE INSERT	
External size / mm	550x466x353
Internal size / mm	381x375x199
Weight:	With Keramott: 52.3 kg
$\Delta t$	98 [°C]
$\Delta p$	3 [Pa]
$\Delta \eta$	5,9 [%]
<b>Installation possible on fireplace insert:</b>	45x51K, 45x57K, 45x68K, 55x45K, 55x51K, 55x57K, 65x45K, 65x51K, 65x57K, 75x39K, 75x57K



We reserve the right to make technical and visual changes as well as typesetting and printing errors.

### ORDER INFORMATION: BAKING COMPARTMENT / DESIGN FRAME

Item number: 361277 -> Baking compartment  
361278 -> Designer frame

[www.austroflamm.com](http://www.austroflamm.com)